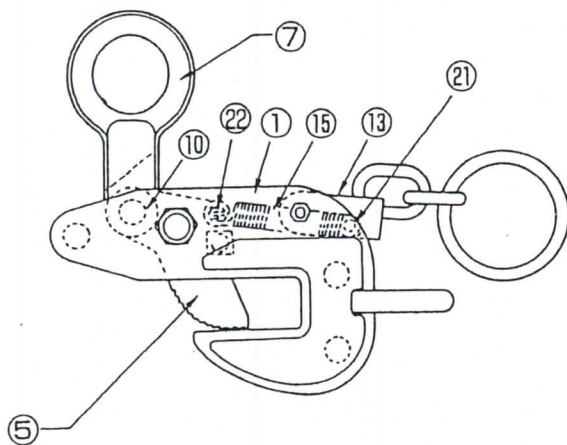
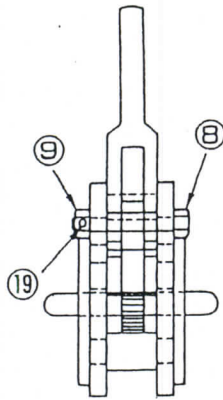


Replacement parts and fittings (Model : HLC-U)



Part No.	Part Name	Item No.
SHACKLE ASSEMBLY		HLH
7	Shackle	HLCH
10	Support pin for shackle	HLCY
CAM ASSEMBLY		HLT
5	Cam	HLCT
22	Spring pin	HLCR
8	Support bolt for cam	HLCN
9	Support nut for cam	HLCN
19	Spring pin	HLCO
HANDLE ASSEMBLY		HLU
13	U-handle	HLCU
16	Hex. socket flat head bolt	HLCK
17	U-nut	HLCK
18	Collar	HLCC
21	Spring pin	HLCQ
15	Spring	HLCS

Replacement procedure for cam and pad

Diassembling

CAM

Take out Cam support bolt (8) by loosening Cam support nut (9) after pulled out Spring pin (19) of Nut (9). Then, remove Shackle (7) and Cam (5) from body and take out Spring pin (22) for Spring (15) after removed Shackle pin (10).

Reassembling

CAM

Reassemble in the reverse order after inserted new Cam to the position correctly.