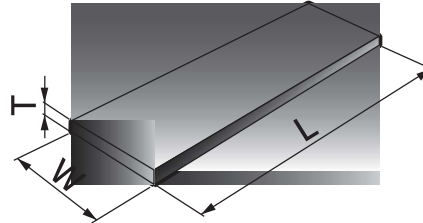


Specify Part No. by required size.
(e.g.) Thickness is 1.5mm and length is 470mm.

70P - 1564

Parts No.



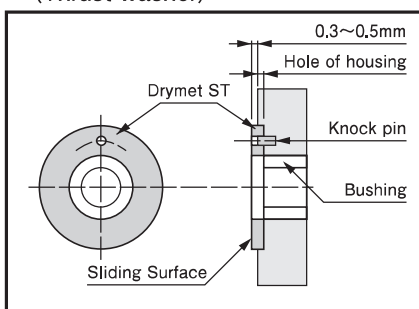
● Sliding surface consists of a plastic layer.

Parts No.	Thickness		Width W	Length L
	T	Tolerance		
70P-1064	1.0	-0.015 -0.115	120	470
70P-1067	1.0	-0.015 -0.115	120	720
70P-1564	1.5	-0.015 -0.115	120	470
70P-1567	1.5	-0.015 -0.115	120	720

Parts No.	Thickness		Width W	Length L
	T	Tolerance		
70P-2064	2.0	-0.015 -0.115	120	470
70P-2067	2.0	-0.015 -0.115	120	720
70P-2564	2.5	-0.015 -0.115	120	470
70P-2567	2.5	-0.015 -0.115	120	720

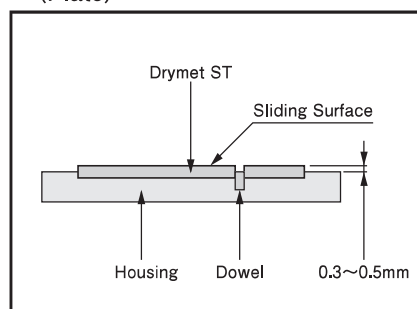
How to attach washers, plates

① Knock pin method (Thrust washer)



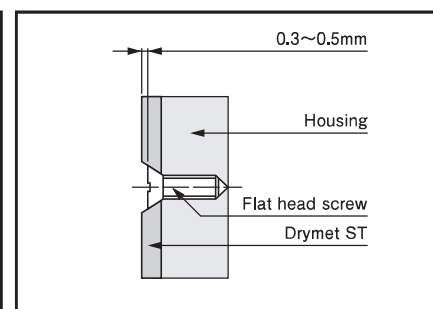
※Sliding surface consists of a plastic layer.

② Inlay method (Plate)



※Sliding surface consists of a plastic layer.

③ Flat head screw method



④ Using glue

In the case of (2), the washer and plate may be inserted with glue, not a knock pin. Synthetic epoxy plastic glue is suitable, though no glue is specified, in particular. Be careful because fitting with glue only may result in separation in some cases.