

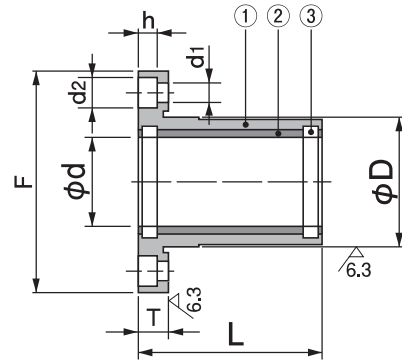
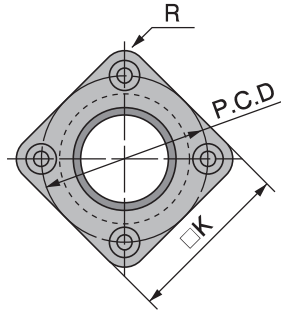


Specify Part No. by required I.D. and length.  
(e.g.) I.D. is 20mm and length is 42mm.

**LFG 20 - 42**

**Parts No.**

● Recommended mating shaft tolerance is g6 to e7.



	Part name	Material
①	Housing	Aluminum with rust-proof finish
②	Bearing	Drymet LF
③	Dust seal	NBR

Parts No.	I.D.		O.D.		Length		F	K	T	P.C.D	R	Mounting hole			Bolt
	$\phi d$	$\phi D$	Tolerance	L	Tolerance	d1						d2	h		
<b>LFG12-30</b>	12	21	$\begin{smallmatrix} -0.017 \\ -0.032 \end{smallmatrix}$	30	$\begin{smallmatrix} 0 \\ -0.3 \end{smallmatrix}$	42.8	32	6	32	3	4.5	8	4.1	M4	
<b>LFG16-37</b>	16	28	$\begin{smallmatrix} -0.017 \\ -0.032 \end{smallmatrix}$	37	$\begin{smallmatrix} 0 \\ -0.3 \end{smallmatrix}$	49.0	37	6	38	4	4.5	8	4.1	M4	
<b>LFG20-42</b>	20	32	$\begin{smallmatrix} -0.024 \\ -0.038 \end{smallmatrix}$	42	$\begin{smallmatrix} 0 \\ -0.3 \end{smallmatrix}$	55.3	42	8	43	5	5.5	9.5	5.1	M5	
<b>LFG25-59</b>	25	40	$\begin{smallmatrix} -0.024 \\ -0.038 \end{smallmatrix}$	59	$\begin{smallmatrix} 0 \\ -0.3 \end{smallmatrix}$	64.9	50	8	51	7	5.5	9.5	5.1	M5	
<b>LFG30-64</b>	30	45	$\begin{smallmatrix} -0.029 \\ -0.042 \end{smallmatrix}$	64	$\begin{smallmatrix} 0 \\ -0.3 \end{smallmatrix}$	75.4	58	10	60	8	6.6	11	6.1	M6	

※Unusable under the condition of water, splashing water and high humidity.