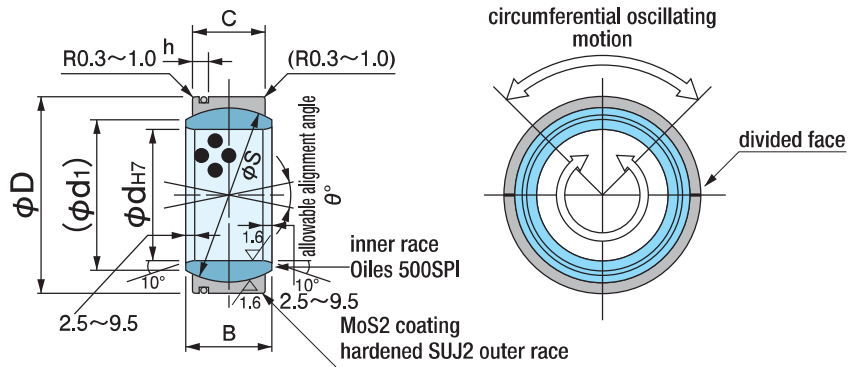




Specify Part No. by required I.D. and O.D.  
(e.g.) I.D. is 50mm and O.D. is 75mm.

### SPS - 5075 E Parts No.

- Mating shaft  
For general: e7 (Recommended housing K7)  
For high load: d8 (Recommended housing N7)



Parts No.	I.D.		O.D.		φd <sub>1</sub>	B	C	Tolerance	φS	h	θ°
	φd	Tolerance	φD	Tolerance							
<b>SPS-2035E</b>	20	$\begin{smallmatrix} +0.021 \\ 0 \end{smallmatrix}$	35	$\begin{smallmatrix} 0 \\ -0.011 \end{smallmatrix}$	24	16	12	$\begin{smallmatrix} 0 \\ -0.24 \end{smallmatrix}$	29	3.5	9
<b>SPS-2542E</b>	25	$\begin{smallmatrix} +0.021 \\ 0 \end{smallmatrix}$	42	$\begin{smallmatrix} 0 \\ -0.011 \end{smallmatrix}$	29	20	16	$\begin{smallmatrix} 0 \\ -0.24 \end{smallmatrix}$	35.5	5.0	7
<b>SPS-3047E</b>	30	$\begin{smallmatrix} +0.021 \\ 0 \end{smallmatrix}$	47	$\begin{smallmatrix} 0 \\ -0.011 \end{smallmatrix}$	34	22	18	$\begin{smallmatrix} 0 \\ -0.24 \end{smallmatrix}$	40.7	5.0	6
<b>SPS-3555E</b>	35	$\begin{smallmatrix} +0.025 \\ 0 \end{smallmatrix}$	55	$\begin{smallmatrix} 0 \\ -0.013 \end{smallmatrix}$	40	25	20	$\begin{smallmatrix} 0 \\ -0.3 \end{smallmatrix}$	47	6.0	6
<b>SPS-4062E</b>	40	$\begin{smallmatrix} +0.025 \\ 0 \end{smallmatrix}$	62	$\begin{smallmatrix} 0 \\ -0.013 \end{smallmatrix}$	45	28	22	$\begin{smallmatrix} 0 \\ -0.3 \end{smallmatrix}$	53	6.0	7
<b>SPS-4568E</b>	45	$\begin{smallmatrix} +0.025 \\ 0 \end{smallmatrix}$	68	$\begin{smallmatrix} 0 \\ -0.013 \end{smallmatrix}$	51	32	25	$\begin{smallmatrix} 0 \\ -0.3 \end{smallmatrix}$	60	6.0	7
<b>SPS-5075E</b>	50	$\begin{smallmatrix} +0.025 \\ 0 \end{smallmatrix}$	75	$\begin{smallmatrix} 0 \\ -0.013 \end{smallmatrix}$	56	35	28	$\begin{smallmatrix} 0 \\ -0.3 \end{smallmatrix}$	66	6.0	6
<b>SPS-6090E</b>	60	$\begin{smallmatrix} +0.030 \\ 0 \end{smallmatrix}$	90	$\begin{smallmatrix} 0 \\ -0.015 \end{smallmatrix}$	67	44	36	$\begin{smallmatrix} 0 \\ -0.4 \end{smallmatrix}$	80	6.0	6
<b>SPS-70105E</b>	70	$\begin{smallmatrix} +0.030 \\ 0 \end{smallmatrix}$	105	$\begin{smallmatrix} 0 \\ -0.015 \end{smallmatrix}$	78	49	40	$\begin{smallmatrix} 0 \\ -0.4 \end{smallmatrix}$	92	7.0	6
<b>SPS-80120E</b>	80	$\begin{smallmatrix} +0.030 \\ 0 \end{smallmatrix}$	120	$\begin{smallmatrix} 0 \\ -0.015 \end{smallmatrix}$	89	55	45	$\begin{smallmatrix} 0 \\ -0.4 \end{smallmatrix}$	105	7.0	6
<b>SPS-90130E</b>	90	$\begin{smallmatrix} +0.035 \\ 0 \end{smallmatrix}$	130	$\begin{smallmatrix} 0 \\ -0.018 \end{smallmatrix}$	98	60	50	$\begin{smallmatrix} 0 \\ -0.5 \end{smallmatrix}$	115	7.0	5
<b>SPS-100150E</b>	100	$\begin{smallmatrix} +0.035 \\ 0 \end{smallmatrix}$	150	$\begin{smallmatrix} 0 \\ -0.018 \end{smallmatrix}$	110	70	55	$\begin{smallmatrix} 0 \\ -0.5 \end{smallmatrix}$	130	7.0	7
<b>SPS-110160E</b>	110	$\begin{smallmatrix} +0.035 \\ 0 \end{smallmatrix}$	160	$\begin{smallmatrix} 0 \\ -0.018 \end{smallmatrix}$	121	70	55	$\begin{smallmatrix} 0 \\ -0.5 \end{smallmatrix}$	140	8.0	6
<b>SPS-120180E</b>	120	$\begin{smallmatrix} +0.035 \\ 0 \end{smallmatrix}$	180	$\begin{smallmatrix} 0 \\ -0.018 \end{smallmatrix}$	136	85	70	$\begin{smallmatrix} 0 \\ -0.5 \end{smallmatrix}$	160	8.0	6

※ φD tolerance is nominal.

▲ The dimensional tolerances are the values measured at +25°C.