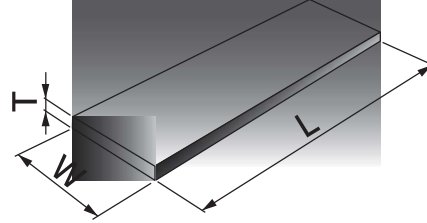


Choose Part No. by required inner diameter and length.

(e.g.) For the thickness of 2.0mm with 100mm width, choose

TMDP - 20100

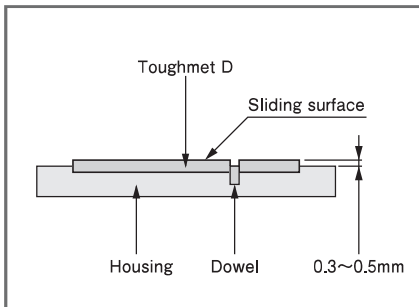
Parts No.



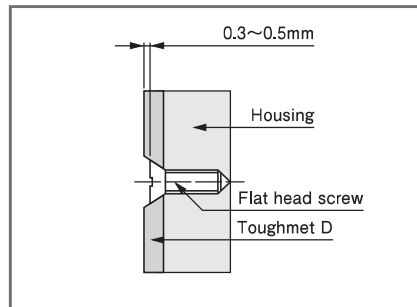
Parts No.	Thickness		Width	Length
	T	Tolerance	W	L
TMDP-1080	1.0	-0.03 -0.13	80	500
TMDP-1590	1.5	-0.03 -0.13	90	500
TMDP-20100	2.0	-0.03 -0.13	100	500
TMDP-25100	2.5	-0.03 -0.13	100	500

How to attach plates

① Inlay method (Plate)



② Flat head screw method



③ Method for bonding

You can use adhesive instead of dowel for inlay method. Epoxide-based adhesive is recommended. Please note that the plate may separate if adhesive is used only.