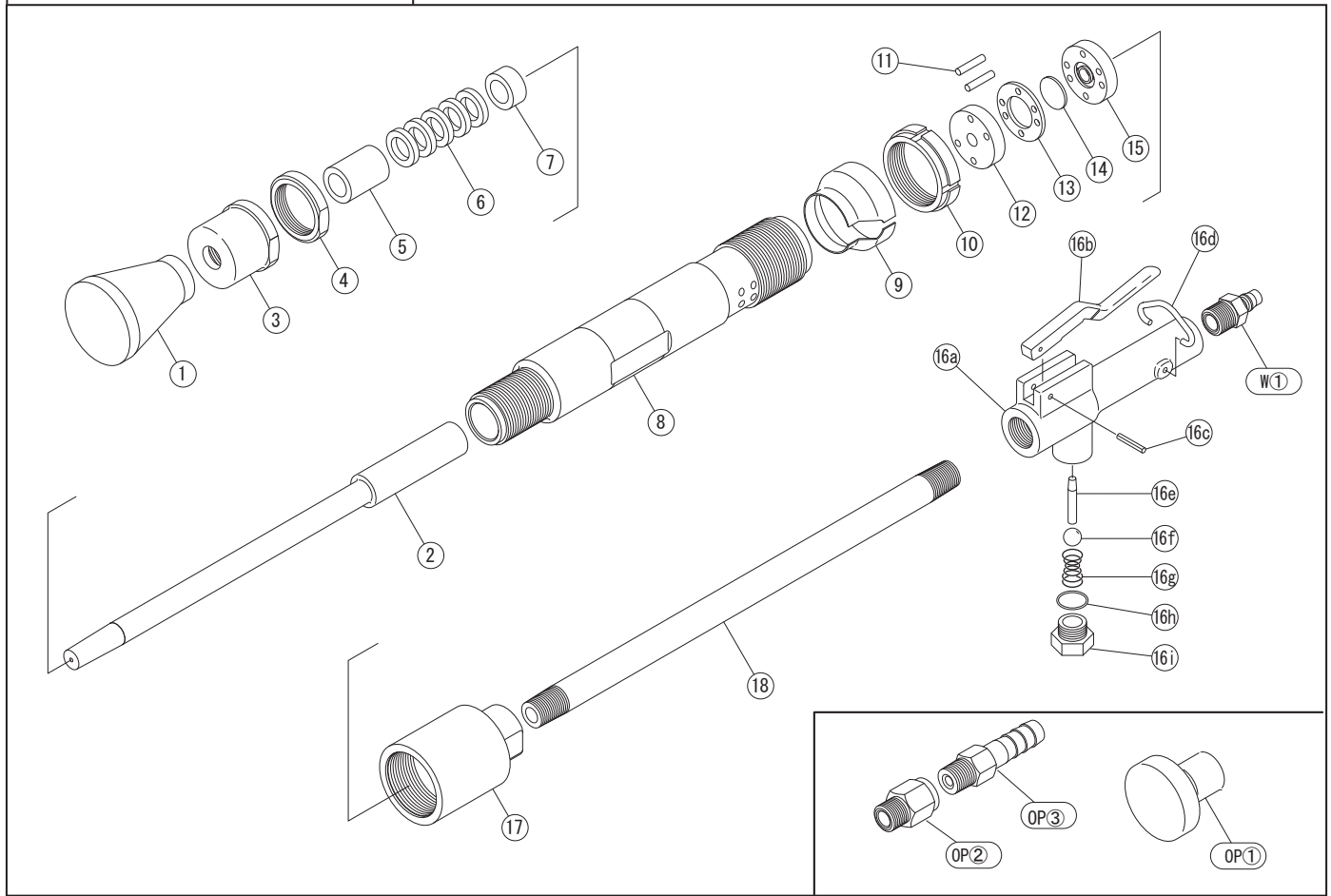


PARTS LIST


No.	Code	Name Of Part	Q'ty	No.	Code	Name Of Part	Q'ty
*1	5301	Rubber Butt $\phi 75$	1	17	5316	Cap	1
2	5303	Piston 425mm	1	18	5317	Pipe $3/4 \times 420$	1
3	5304	Ground	1	W①	9107	Coupling PM24	1
4	5305	Ground Nut	1				
5	5306	Piston Bush	1				
6	5307	Leather Packing $35 \times 19 \times 5$	5	OP①	5302	Steel Butt $\phi 69$	1
7	5308	Packing Bush	1	OP②	9064	Inlet Bush $1/2-3/8$	1
8	5309	Cylinder	1	OP③	9035	Hose Nipple(B) $3/8-1/2$	1
9	5310	Exhaust Cover	1				
10	5311	Lock Nut	1				
11	9526	Valve Pin 6×29.8	2				
12	5312	Lower Valve Sheet	1				
13	5313	Valve Case	1				
14	5314	Valve	1				
15	5315	Upper Valve Sheet	1				
16	C5216	Handle Assy	1				
16a	5216	Handle Body	1				
16b	5217	Lever	1				
16c	9554	Lever Pin 4×25	1				
16d	5219	Lever Stopper	1				
16e	2010	Throttle Pin $\#41$	1				
16f	9472	Throttle Valve $1/2$	1				
16g	9234	Throttle Spring	1				
16h	9406	O-Ring S-15	1				
16i	5224	Throttle Cap	1				