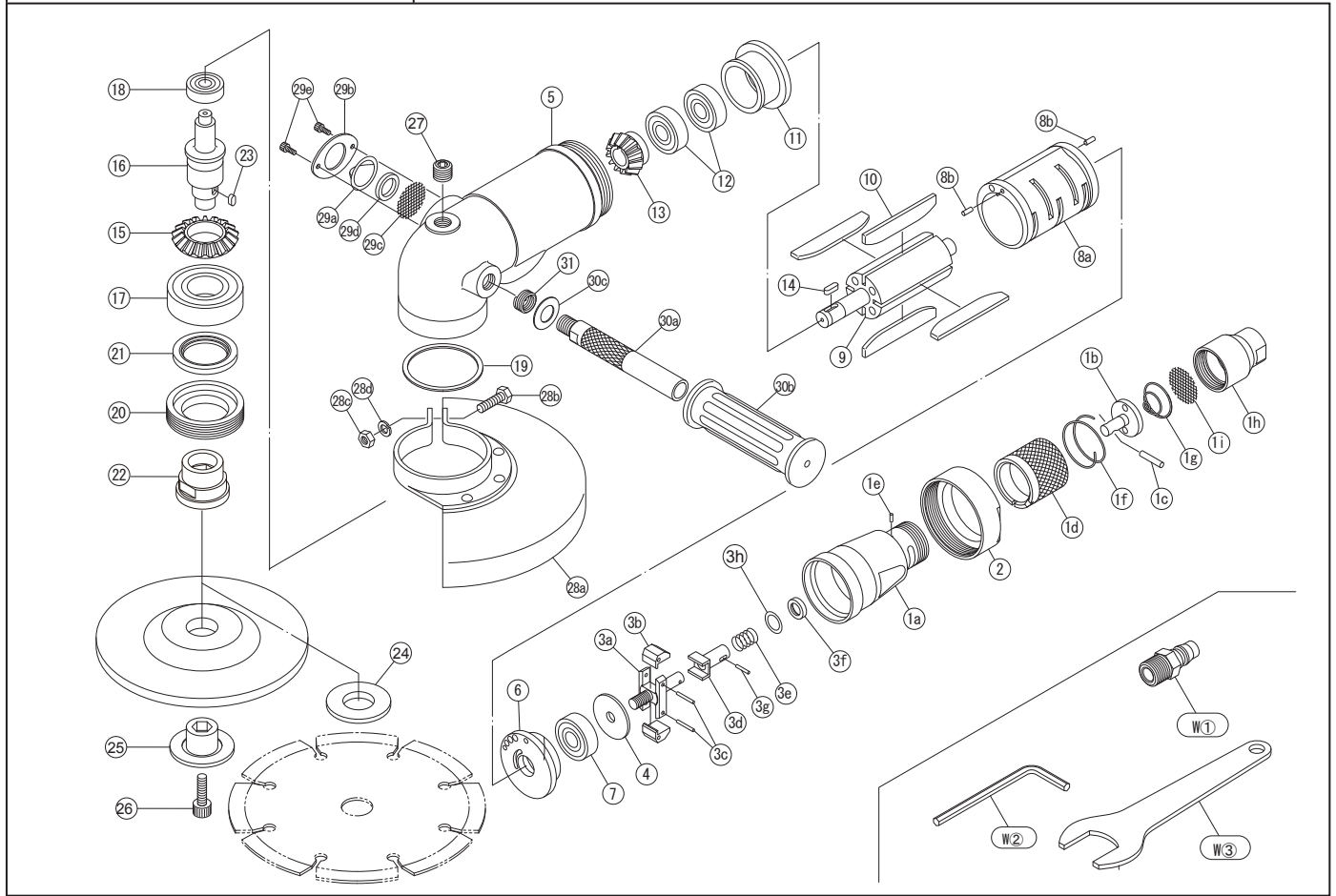


PARTS LIST



No.	Code	Name Of Part	Q'ty	No.	Code	Name Of Part	Q'ty
1	C7301	Throttle Body Assy	1	9	6203	Rotor	1
1a	7301	Throttle Body	1	10	7324	Vane	4
1b	7302	Throttile Valve	1	11	6204	Lower Plate	1
1c	9517	Throttle Valve Pin 4*19.8	1	12	9308	Ball Bearing 6201	2
1d	7304	Throttle Handle	1	13	6206	Rotor Bevel Gear	1
1e	9550	Throttle Handle Pin 2*6	1	14	6207	Key <Gear> 4*3.5*12	1
1f	9211	Throttle Handle Spring	1	15	6208	Main Shaft Bevel Gear	1
1g	9232	Throttle Spring	1	16	6209	Main Shaft	1
1h	7308	Hose Joint	1	17	9312	Ball Bearing 6205	1
1i	9781	Strainer 26*0.8	1	18	9303	Ball Bearing 629	1
2	7318	Throttle Body Nut	1	19	9739	Gasket 46*52*T	1
3	C7311	Governor Valve Assy	1	20	6213	Bearing Cap	1
3a	7310	Governor Spindle	1	21	9791	Oil Seal VB32*45*5	1
3b	7311	Governor Weight	2	22	6214	Inner Flange	1
3c	9506	Governor Weight Pin2.5*19.8	2	23	6028	Key <Inner Flange> 4*3*8	1
3d	7313	Governor Valve	1	24	6222	Outer Flange Washer	1
3e	9219	Governor Spring	1	25	6215	Outer Flange	1
3f	7315	Governor Spring Plate	1	26	9622	Hex.Socket Bolt M8*25	1
3g	9501	Governor Valve Pin 2*12.8	1	27	9481	Hex.Socket Plug GM1/4	1
3h	9733	Gasket 10.5*15*1	1	28	C6217	Wheel Cover Assy	1
4	7317	Bearing Plate	1	29	C6220	Exhaust Cover Assy	1
5	6201	Housing	1	30	C6223	Dead Handle Assy	1
6	7320	Upper Plate	1	31	9771	Screw Insert W1/2	1
7	9308	Ball Bearing 6201	1	W①	9106	Coupling PM23	1
8	C7322	Cylinder Assy	1	W②	9800	Wrench 6mm	1
8a	7322	Cylinder	1	W③	9817	Spanner 32mm	1
8b	9551	Spring Pin 3*8	2	*OP	6227	Wheel Cover(8")	1