

GC64

Battery-Powered Digital Pressure Gauge

Fluids and gases measurement
(Featuring stainless diaphragm)

Overview

This product with a built-in high reliable Chemical Vapor-Deposited Semiconductor Strain Gauge can be used in wide range of applications for gases and fluids measurement, thanks to less moving parts and excellent vibration and shock resistance. Reduced area of wetted parts to 1/5 (Measured by own) as compared to bourdon tube contributes for the less contamination.

Features

- Pressure range: -0.1 to 0.5MPa→0 to 20MPa
- Same design as 50 DIA. small pressure gauge
- Selectable mounting angle by 30 degrees
- Auto power OFF
- Variable update rate
- One-touch zero adjustment function
- Battery life indicator



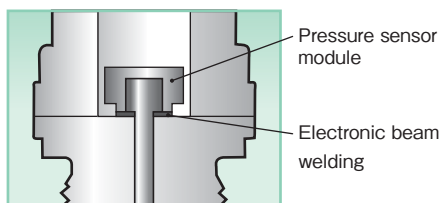
Features of sensor

Chemical Vapor-Deposited Semiconductor Strain Gauge (SS sensor)

Proven Chemical Vapor-Deposited Semiconductor Strain Gauge (SS sensor) achieves integral construction that semiconductor strain gauge, sensing part and fitting are all integrated without using any adhesive or corrosive materials to contributes to high durability and stability.



SS Sensor



Fully welded type

Integral safety construction
body and fittings are fully welded

Function

Functions for saving battery life

- ① Auto power OFF
 - *Selectable On/Off auto power OFF
- ② Display update rate
 - *When 2.0s or 10s is selected as display update rate, it becomes the fastest 0.5s by any key bad operations for 5minutes.
 - Use this function when using for the pressure adjustment etc.

Display tilting function

The display can be tilted 30°left or right with the display maintaining horizontal when installing with 4 ports reducing valve.



Installation example of mounting with 4 ports reducing valve

Specifications

Item		Description
Media		Gases and fluids (Compatible with wetted parts)
Installation environment		Install in location where no gases or liquids may exist that have the potential to become flammable or ignitable under normal operating condition
Mounting		Stem mounting
Connection		R1/4
Wetted parts		Diaphragm: SUS630 (17-4PH), Fitting: SUS316
Pressure range		-0.1 to 0.5MPa → -0.1 to 2.0MPa 0 to 0.5MPa → 0 to 20MPa
Maximum allowable pressure		200% of pressure range
Accuracy	Indication accuracy	±(1.0%F.S.+1digit) at 23°C
	Temperature coefficient	±0.1%F.S./°C (Zero, span)
Display		3 digit, 8.5mm LCD
Display update rate		User selectable (0.5s, 2.0s, or 10s is selected.)
Units		MPa
Battery		Lithium battery CR2032×1 piece
Function	Error indication	Over pressure, Outside of effective range for the zero adjustment
	Alarm display	Battery life indicator
	Others	One-touch zero adjustment, Auto power OFF
Operating temperature		-10 to 50°C (Non-freezing or condensing)
Operating humidity		35 to 85%RH (Non-condensing)
Storage temperature		-20 to 60°C (Non-freezing or condensing)
Vibration and shock resistance		10 to 55Hz, Half amplitude: 0.75mm, 100m/s ² , x,y,z for each
Enclosure		Indoor use (IP30 IEC Standard)*
Case materials		Zinc die casting (ZDC2) Chromium plating
Panel materials		Polycarbonate
Weight		Approx. 150 g (Include battery)

* When front case is closed

Battery life	Continuous use: About 2500 hours (At a display cycle of 0.5s) About 5000 hours (At a display cycle of 2.0s) About 7000 hours (At a display cycle of 10s) Selectable auto power OFF, battery life indicator
--------------	---

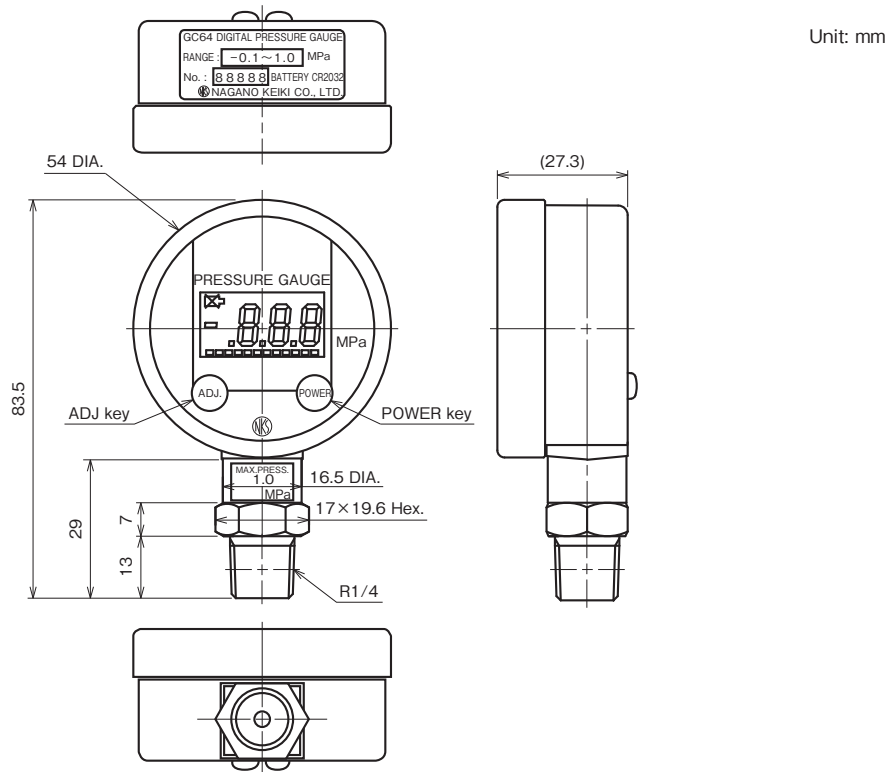
Pressure range and maximum display value

Pressure range	Display digit	Indication accuracy	Temperature coefficient	Maximum allowable pressure
-0.1 to 0.5MPa	-.100 to .500MPa	±(1.0%F.S.+1digit) at 23°C	±0.1%F.S./°C (Zero / span)	200% of rated pressure range
-0.1 to 1.0MPa	-0.10 to 1.00MPa			
-0.1 to 2.0MPa	-0.10 to 2.00MPa			
0 to 0.5MPa	.000 to .500MPa			
0 to 1.0MPa	0.00 to 1.00MPa			
0 to 2.0MPa	0.00 to 2.00MPa			
0 to 5.0MPa	0.00 to 5.00MPa			
0 to 10MPa	0.0 to 10.0MPa			
0 to 20MPa	0.0 to 20.0MPa			

GC64

Battery-Powered Digital Pressure Gauge

Dimensions



Unit: mm

Model number configuration

Please specify the model number, each specs and the range for ordering.

Model		Battery-Powered Digital Pressure Gauge																					
Model number		Product specifications							Additional specifications (Optional)														
①	Size and design of case	1	50 DIA. Stem	④	Pressure range (MPa)	1	-0.1 to 0.5, 1, 2	⑤	Indication accuracy	7	±(1.0%F.S.+1digit) at 23°C	⑥	Power source	B	Lithium battery (3V) CR2032×1 piece	⑨	Treatment	0	Not required	⑮	Documents	0	Not required
②	Fitting	7	R1/4	④	Pressure range (MPa)	2	0 to 0.5, 1, 2, 5	⑨	Treatment	1	Use no oil	⑮	Documents	1	Required (Documents available upon request) Datasheet (Drawing / Specifications) Instruction manual Inspection procedure Calibration test report (One-part one sheet) Inspection / Traceability certificate Strength calculation sheet	⑨	Treatment	2	Use no water	⑮	Documents	1	Required (Documents available upon request) Datasheet (Drawing / Specifications) Instruction manual Inspection procedure Calibration test report (One-part one sheet) Inspection / Traceability certificate Strength calculation sheet
③	Wetted parts	3	Diaphragm: SUS630 (17-4PH) Fitting: SUS316	④	Pressure range (MPa)	3	0 to 10, 20	⑨	Treatment	3	Use no oil & water	⑮	Documents	1	Required (Documents available upon request) Datasheet (Drawing / Specifications) Instruction manual Inspection procedure Calibration test report (One-part one sheet) Inspection / Traceability certificate Strength calculation sheet								

Please specify pressure range and unit of measure along with corresponding ordering code.

Select our ZT64 when require of VCR type fitting, cleanness and roughness are essential.

Treatment against wetted parts

- Use no oil
Oil used in manufacturing the gauges had been flushed out & no oil residue remained inside its wetted parts.
- Use no water
Water used in manufacturing the gauges had been flushed out & no water residue remained inside its wetted parts.
- Use no oil & water
Oil/Water used in manufacturing the gauges had been flushed out & no oil/water residue remained inside its wetted parts.

* Specify code "X" to refer N/A