

CS41 Multi-layer Diaphragm Type Pressure Switch

Outline

This switch is designed for oil pressure related applications. With its small and light body it can be installed directly onto pipes and thus suitable even where the available space is limited.

- Oil-pressure equipments of wheel loader and cranes.
- Process equipments such as car washers and refrigerant compressors.

Features

- It is a small pressure switch suitable for oil pressure related applications.
- Internal structure is simple, and it is durable.
- The diaphragm moves in a snap-action, and hence it has an excellent operating characteristic.
- Since the diaphragm and the joint are welded together, unlike rubber packing type switches, it does not deteriorate over the years of use.

* Please make sure that the wetted part materials are suitable for the measuring gas and the liquid.

Specifications

Measuring fluids:

Water or oil

Operating condition:

Under the normal condition, where there is no inflammable gas or liquid which cause the ignition or explosion.

Connections:

G1/4B, R1/4, R1/8

* For other connections not listed, please contact us.

Wetted parts material:

Joint: SUS316

Diaphragm: SUS304

Maximum pressure range:

0 to 5MPa

Type of contact point:

(H, HR) One contact of these

Setting range:

0.5MPa, 1MPa, 1.5MPa, 2MPa

Factory setting (please specify the setting point)

* For the setting point not listed, please contact us.

Initial setting accuracy:

±10% of setting point (±20% for under 1MPa)

Operating temperature:

-30 to 100°C (No freezing)

Accuracy:

±10% of setting point (±20% for under 1MPa)

Dead band:

Fixed 30 to 50% of setting point

Switch:

Micro switch

Rating:

General use (Silver contact):

250V AC 2A, 30V DC 2A

For small resistance (Gold plated contact):

30V DC 0.1A

Initial contact resistance:

100mΩ or less

Insulation resistance:

Over 100MΩ by an insulation resistance tester of 500V DC

Withstand voltage:

Normal operation for 1 min.

Durability:

0 ⇔ 5 MPa The change in operating pressure after 1 million cycles is within ±25% of the initial operating pressure.

Electric wire:

200mm (L)

Case materials:

A5052

Case construction:

IP65 Equivalent

Weight:

Approx. 70g

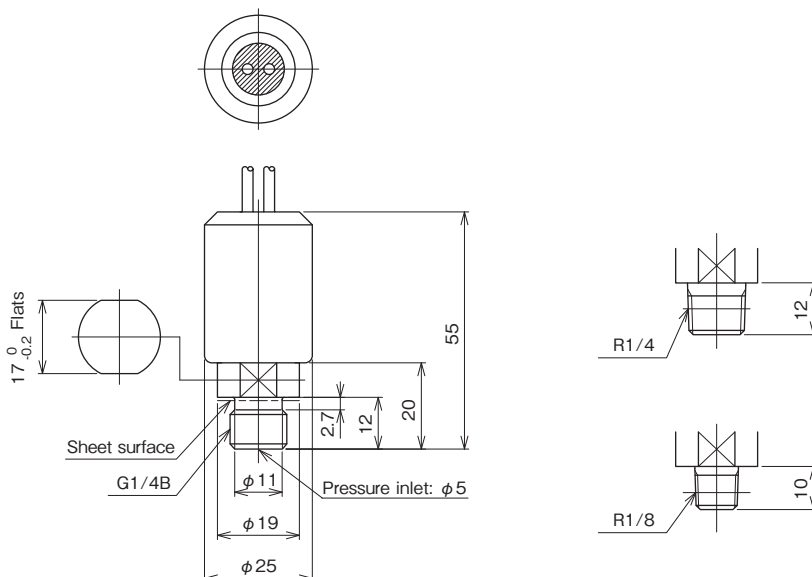


Lot product

CS41

Multi-layer Diaphragm Type Pressure Switch

Dimensions



Model number configuration

Please specify the model number and each specs for ordering.

Model																				
CS41			1	3	0		X	X	X	X	X	X	X							
Multi-layer diaphragm type pressure switch			①	②	③	④	⑤	⑥	⑦	⑧	⑨	⑩	⑪	⑫						
Model number					Selective spec.					Additional spec. (Option)										
① Type		1 General use																		
② Connection		<table border="1"> <tr> <td>2</td> <td>G1/4B</td> </tr> <tr> <td>6</td> <td>R1/8</td> </tr> <tr> <td>7</td> <td>R1/4</td> </tr> </table>													2	G1/4B	6	R1/8	7	R1/4
2	G1/4B																			
6	R1/8																			
7	R1/4																			
③ Wetted parts material		3 Joint : SUS316 Diaphragm : SUS304																		
④ Pressure range		0 0 to 5MPa																		
⑤ Type of contact point *		<table border="1"> <tr> <td>A</td> <td>H : Upper limit type with one contact</td> </tr> <tr> <td>F</td> <td>HR : Reverse upper limit type with one contact</td> </tr> </table>													A	H : Upper limit type with one contact	F	HR : Reverse upper limit type with one contact		
A	H : Upper limit type with one contact																			
F	HR : Reverse upper limit type with one contact																			
⑥ Switch		<table border="1"> <tr> <td>0</td> <td>Standard</td> </tr> <tr> <td>K</td> <td>Gold plated contact</td> </tr> </table>													0	Standard	K	Gold plated contact		
0	Standard																			
K	Gold plated contact																			
⑮ Documents		<table border="1"> <tr> <td>0</td> <td>Nil</td> </tr> <tr> <td>1</td> <td>Required (Please specify the desired documents separately.) Submission drawings, instruction manual</td> </tr> </table>													0	Nil	1	Required (Please specify the desired documents separately.) Submission drawings, instruction manual		
0	Nil																			
1	Required (Please specify the desired documents separately.) Submission drawings, instruction manual																			

* For ordering, please specify below the set value the set pressure.
I carried out in our factory Set.
You can not set value change after shipment.

Set value is the corresponding one of the four points or less.

Set value	0.5MPa
	1MPa
	1.5MPa
	2MPa

Lot production counterparts

* Specify "X" if there is no specification item.

The contents in the catalogue are subject to change without notice.

NAGANO KEIKI

NAGANO KEIKI CO., LTD.

URL : <http://www.naganokeiki.co.jp/>

HEAD OFFICE & OVERSEAS SALES DEPT

1-30-4, HIGASIMAGOME OHTA-KU, TOKYO, JAPAN.

PHONE : +81-3-3776-5328 FAX : +81-3-3776-5447

E-mail : overseas_sales_dept@naganokeiki.co.jp