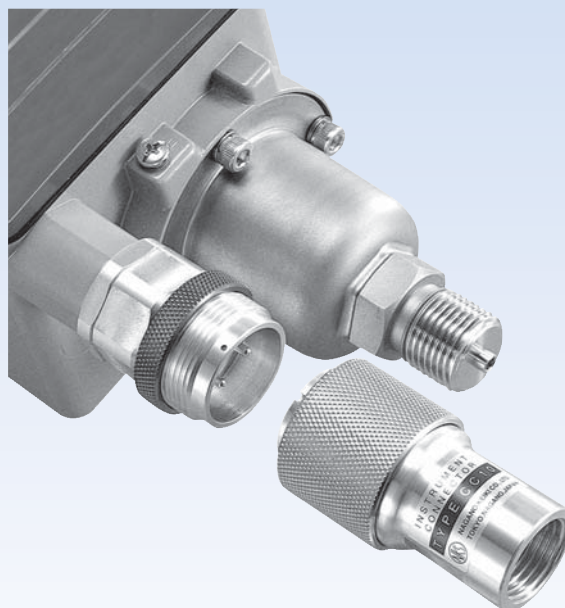


CC__ Plug-in Connector for Pressure Switch

Overview

Generally pressure switch is installed at dark, narrow and unstable places which needs careful attention not to loose small screw, break of crimp terminal, connection failure or wrong wiring, delaying working process. This CC plug-in connector can easily attach and remove contributing for work time reducing and prevention from wrong wiring.



Features

Reduces work hours

No tiny screw needed for installation. Work efficiency is greatly improved reducing time for maintenance.

Secures safety

It ensures operation of electrical connection certainly even at the place poor in work efficiency.

Improves work quality

It prevents from fastening screw failure and wrong wiring with improved work quality, also contributes for crimp terminal break due to repeatable screwing. Locknut color helps for identifying classification of wiring.

Specifications

Number of poles	2 pole
Enclosure rating	Dustproof·Waterproof (Oil) / (Equivalent to IP65)
Operating temperature range	-20 to 60°C
Insulation resistance	500V DC 100MΩ and above
Contact resistance	3V DC 1A 5mΩ and below
Electrical rating	250V AC (250V DC) 10A
Compatible wiring	AWG16 to 14 (1.380 to 2.177mm ²)
Connection diameter	Switch side (Receptacle) G1/2B (Standard) Wire connection side (Plug) G1/2 (Standard)
Material	Case, nut Aluminum alloy (Alumite treatment) Contact Brass (Gold plating with Ni undercoating) Insulator PPS resin Wire Heat resistant (105°C) Vinyl
Locknut color	Blue (Standard), Red, Yellow

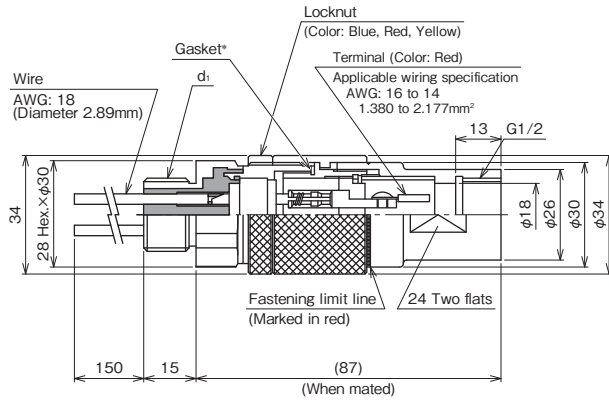
Compatible model

Electrical wire outlet	Product category	Model No.
G1/2	Pressure switch	CB18·33
	Differential pressure switch	CL11
G3/4	Pressure switch	CB11·15 CQ21·30·50·51 CS76
	Differential pressure switch	CL21·70·71
	Differential pressure switch with electric contact	DG17·97·98
	Pressure switch with electric contact	JC13·18·21·26·31· 36·41·46 JK20·25 JM21·26·31·41·46

Dimensions

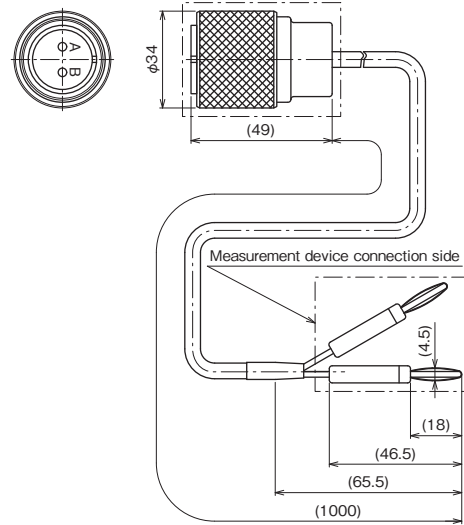
Unit: mm

Plug-in connector (CC10)



* Gasket (Silicon rubber) is consumables.
Ensure the exchange on 2-3 year basis.

Test probe (CC11)



Model number configuration

Please specify the model number, each specs and the range for ordering.

Model		<table border="1"> <tr> <td>C</td><td>C</td><td>1</td><td>0</td><td>—</td><td>4</td><td>—</td><td>X</td><td>X</td><td>X</td><td>X</td><td>X</td><td>X</td><td>X</td><td>X</td><td>X</td><td>X</td><td>X</td><td>X</td><td>X</td><td>X</td> </tr> <tr> <td colspan="4">Plug-in connector</td> <td>①</td><td>②</td><td>③</td><td>④</td><td>⑤</td><td>⑥</td><td>⑦</td><td>⑧</td><td>⑨</td><td>⑩</td><td>⑪</td><td>⑫</td><td>⑬</td><td>⑭</td><td>⑮</td><td>⑯</td><td>⑰</td><td>⑱</td> </tr> <tr> <td colspan="7">Model number</td> <td colspan="5">Product specifications</td> <td colspan="8">Additional specifications (Optional)</td> </tr> <tr> <td colspan="2">①</td> <td colspan="2">4</td> <td colspan="15">G1/2B</td> </tr> <tr> <td colspan="2">d1 (M) Switch side</td> <td colspan="2">6</td> <td colspan="15">G3/4B (With connection sleeve)</td> </tr> <tr> <td colspan="2"></td> <td colspan="2"></td> <td colspan="15">1/2NPT connection is available.</td> </tr> <tr> <td colspan="2">②</td> <td colspan="2">4</td> <td colspan="15">G1/2</td> </tr> <tr> <td colspan="2">d1 (F) Wire connection side</td> <td colspan="2"></td> <td colspan="15"></td> </tr> <tr> <td colspan="2">③</td> <td colspan="2">0</td> <td colspan="15">Blue</td> </tr> <tr> <td colspan="2">Locknut color</td> <td colspan="2">1</td> <td colspan="15">Red</td> </tr> <tr> <td colspan="2"></td> <td colspan="2">2</td> <td colspan="15">Yellow</td> </tr> <tr> <td colspan="2">⑮</td> <td colspan="2">0</td> <td colspan="15">Not required</td> </tr> <tr> <td colspan="2">Documents</td> <td colspan="2">1</td> <td colspan="15">Required (Documents available upon request) Datasheet (Drawing / Specifications) Instruction manual</td> </tr> </table>															C	C	1	0	—	4	—	X	X	X	X	X	X	X	X	X	X	X	X	X	X	Plug-in connector				①	②	③	④	⑤	⑥	⑦	⑧	⑨	⑩	⑪	⑫	⑬	⑭	⑮	⑯	⑰	⑱	Model number							Product specifications					Additional specifications (Optional)								①		4		G1/2B															d1 (M) Switch side		6		G3/4B (With connection sleeve)																			1/2NPT connection is available.															②		4		G1/2															d1 (F) Wire connection side																			③		0		Blue															Locknut color		1		Red																	2		Yellow															⑮		0		Not required															Documents		1		Required (Documents available upon request) Datasheet (Drawing / Specifications) Instruction manual														
C	C	1	0	—	4	—	X	X	X	X	X	X	X	X	X	X	X	X	X	X																																																																																																																																																																																																																																																									
Plug-in connector				①	②	③	④	⑤	⑥	⑦	⑧	⑨	⑩	⑪	⑫	⑬	⑭	⑮	⑯	⑰	⑱																																																																																																																																																																																																																																																								
Model number							Product specifications					Additional specifications (Optional)																																																																																																																																																																																																																																																																	
①		4		G1/2B																																																																																																																																																																																																																																																																									
d1 (M) Switch side		6		G3/4B (With connection sleeve)																																																																																																																																																																																																																																																																									
				1/2NPT connection is available.																																																																																																																																																																																																																																																																									
②		4		G1/2																																																																																																																																																																																																																																																																									
d1 (F) Wire connection side																																																																																																																																																																																																																																																																													
③		0		Blue																																																																																																																																																																																																																																																																									
Locknut color		1		Red																																																																																																																																																																																																																																																																									
		2		Yellow																																																																																																																																																																																																																																																																									
⑮		0		Not required																																																																																																																																																																																																																																																																									
Documents		1		Required (Documents available upon request) Datasheet (Drawing / Specifications) Instruction manual																																																																																																																																																																																																																																																																									

[Scope of manufacturing]
Standard electrical wire connection: PF1/2F
• CB18, CB33

[Applicable Model]
With PF3/4 x PF1/2 conversion sleeve
• Pressure switch CB11, CB15
• Pressure switch CQ21, CQ30, CQ50, CQ51, CS76
• Differential pressure switch CL21, CL70, CL71
• Pressure switch with electric contact JC13, JC18, JC21, JC26, JC31, JC36, JC41, JC46, JK20, JK25, JM21, JM26, JM31, JM35, JM41, JM46
• Differential pressure switch with electric contact DG17, DG97, DG98

Model		<table border="1"> <tr> <td>C</td><td>C</td><td>1</td><td>1</td><td>—</td><td>0</td><td>0</td><td>1</td><td>—</td><td>X</td><td>X</td><td>X</td><td>X</td><td>X</td><td>X</td><td>X</td><td>X</td><td>X</td><td>X</td><td>X</td><td>X</td> </tr> <tr> <td colspan="4">Test probe</td> <td>①</td><td>②</td><td>③</td><td>④</td><td>⑤</td><td>⑥</td><td>⑦</td><td>⑧</td><td>⑨</td><td>⑩</td><td>⑪</td><td>⑫</td><td>⑬</td><td>⑭</td><td>⑮</td><td>⑯</td><td>⑰</td><td>⑱</td> </tr> <tr> <td colspan="7">Model number</td> <td colspan="5">Product specifications</td> <td colspan="8">Additional specifications (Optional)</td> </tr> <tr> <td colspan="2">⑮</td> <td colspan="2">0</td> <td colspan="15">Not required</td> </tr> <tr> <td colspan="2">Documents</td> <td colspan="2">1</td> <td colspan="15">Required (Documents available upon request) Datasheet (Drawing / Specifications) Instruction manual</td> </tr> </table>															C	C	1	1	—	0	0	1	—	X	X	X	X	X	X	X	X	X	X	X	X	Test probe				①	②	③	④	⑤	⑥	⑦	⑧	⑨	⑩	⑪	⑫	⑬	⑭	⑮	⑯	⑰	⑱	Model number							Product specifications					Additional specifications (Optional)								⑮		0		Not required															Documents		1		Required (Documents available upon request) Datasheet (Drawing / Specifications) Instruction manual														
C	C	1	1	—	0	0	1	—	X	X	X	X	X	X	X	X	X	X	X	X																																																																																																	
Test probe				①	②	③	④	⑤	⑥	⑦	⑧	⑨	⑩	⑪	⑫	⑬	⑭	⑮	⑯	⑰	⑱																																																																																																
Model number							Product specifications					Additional specifications (Optional)																																																																																																									
⑮		0		Not required																																																																																																																	
Documents		1		Required (Documents available upon request) Datasheet (Drawing / Specifications) Instruction manual																																																																																																																	

Test probe is measurement cable used with plug-in connector (CC10).

Cap, plug packing located at receptacle connector are optionally available.

* Specify code "X" to refer N/A