

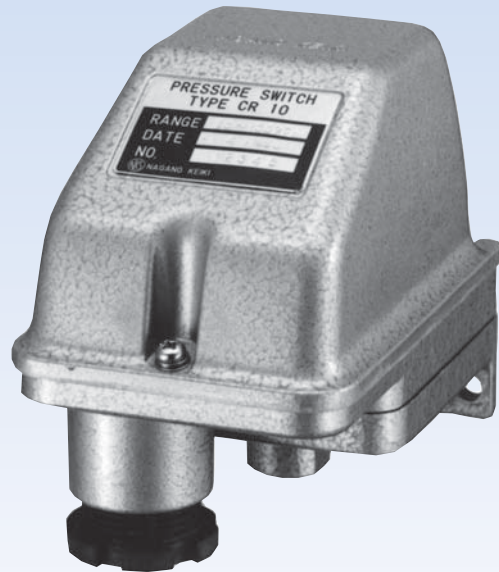
CR10 Pressure Switch

Overview

This high reliable pressure switch features 20 to 100kPa pneumatic pressure transmitter with double snap action.

Features

- Highly vibration resistance with stable operation even under 3G vibration.
- Excellent switch action even under slow pressure change.
- Cover can be easily removed by only one unscrewing. Pressure setting and other maintenance are easy.



*Ensure the process gases are compatible with wetted parts.

Specifications 1

Media:

Gases

Operating environment:

Install in location where no gases or liquids may exist that have the potential to become flammable or ignitable under normal operating condition.

Type:

Wall mounting, 2B pipe installation

Connection:

Rc1/4

Wetted parts:

Diaphragm NBR
Body ZDC2

Pressure range:

20 to 100kPa

Proof pressure:

140kPa

Operating temperature:

-5 to 40°C

Accuracy:

±1%max.P.

Deadband:

5.3kPa and below

*Changed deadband width from the manufacturing in March 2017.

Switch type:

Micro switch

Number of contact:

One contact

Setting method:

Internally adjustable

Electrical wire outlet:

Gland JIS 20b

Case material · finish:

ADC12 · Gray winkle paint

Enclosure:

Drip-proof (Equivalent to IP43)

Weight:

Wall mounting Approx. 0.9kg
2B pipe installation Approx. 1.4kg

CR10

Pressure Switch

Specifications 2

Electrical characteristic: (Standard specification)

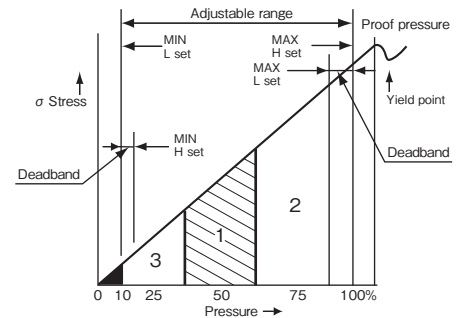
	Rating		Withstand voltage	Insulation resistance
	Resistance load	Inductive load		
125V AC	15 A	10 A	1500V AC Between terminals and case for 1 minute	500V DC 100MΩ or over Between terminals and case
250V AC	15 A	10 A		
30V DC	10 A	6 A		
125V DC	0.5 A	0.5 A		
• Inductive load is power factor 0.4A and below Time constant 7ms and below				

How to select effective operating pressure range

- Set value is accurate and stable: 30%max.P. and above
- Maintain long life: 65%max.P. and below
- Set value is accurate maintaining long life (ideal): 30 to 65% of adjustable range

Below figure

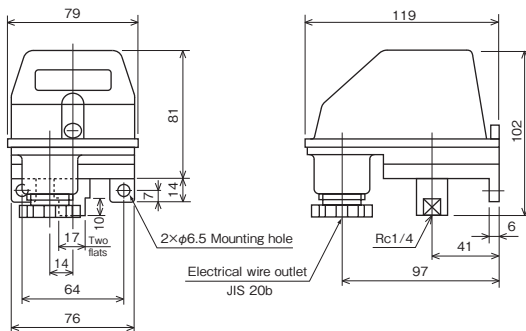
- Range 1. Effective range both for accuracy and long life
- Range 2. Effective range for maintaining accuracy
- Range 3. Effective range for maintaining long life



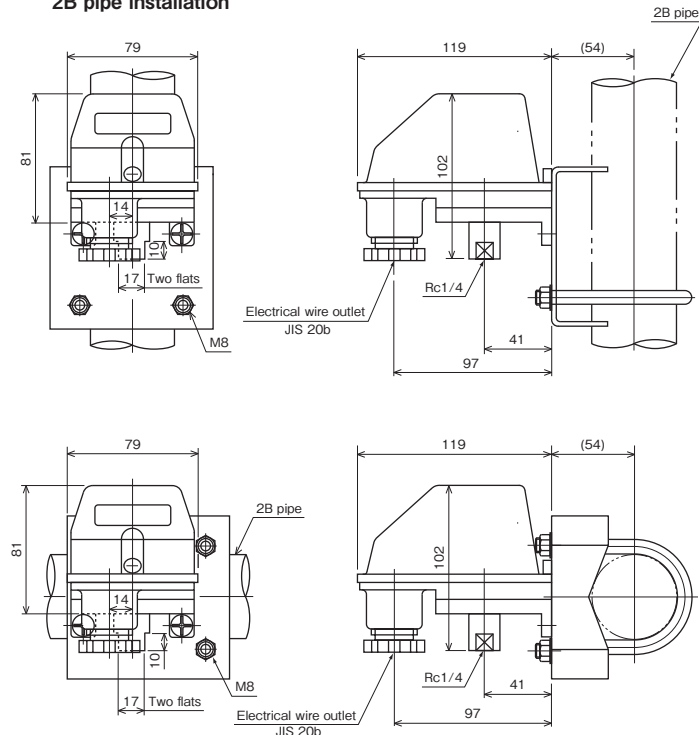
Dimensions

Unit: mm

Wall mounting



2B pipe installation



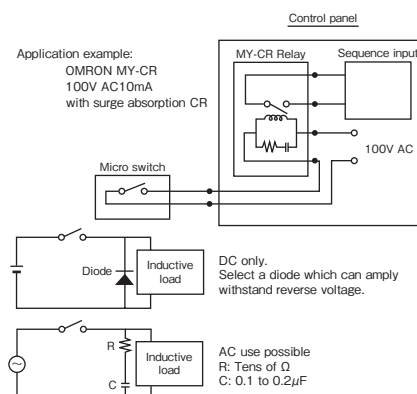
Attention

1. As for sequencer input

The contact resistance of micro switch increases as time passes especially in short period for use in atmosphere including Si with SiO₂ accumulation as switch operates. Ensure the use in clean and well-ventilated atmosphere. When the pressure switch is used as sequencer input as controller, input it through 100V AC relay because of failure for the reason.

2. Insertion of contact protection circuit

Insert protection circuit to protect contact with inductive load switching circuit. When using relay, specify contact protection circuit built-in type.



CR10

Pressure Switch

Model number configuration

Please specify the model number, each specs and the range for ordering.

Model		—		—		—		—		—		—		—		—		—			
CR10		7	1	1	0	7	X	X	X	X	X	X	X	X	X	X	X	X	X	X	
Pressure Switch		①	②	③	④	⑤	⑥	⑦	⑧	⑨	⑩	⑪	⑫	⑬	⑭	⑮					
Model number				Product specifications				Additional specifications (Optional)													
① Mounting (Enclosure)		1	Panel mounting		Wall mounting		Drip-proof														
		5	2B pipe installation		Drip-proof (Vertical pipe)																
		6	2B pipe installation		Drip-proof (Horizontal pipe)																
② Connection		7	Rc1/4																		
③ Wetted parts		1	Diaphragm: NBR Body: ZDC2																		
④ Pressure range		1	20 to 100kPa																		
		⑤ Switch action		A	H : Upper limit with one contact																
		B	L : Lower limit with two contacts																		
		Others																			
⑥ Switch type		0	Standard																		
⑦ Electrical wire outlet		7		Gland JIS 20b																	
		Others																			
⑧ Treatment		0	Not required																		
		1	Use no oil																		
		2	Use no water																		
		3	Use no oil and water																		
⑨ Other additional spec.		0	Not required																		
		1	Required (Specify required additional spec.) Case finish																		
⑮ Documents		0	Not required																		
		1	Required (Documents available upon request) Datasheet (Drawing / Specifications) Instruction manual Inspection procedure Mill test report Calibration test report (One-part one sheet) Inspection / Traceability certificate Standard inspection report Strength calculation Attending inspection																		

Please specify pressure range and unit of measure along with corresponding ordering code.

[Scope of manufacturing]

- Accuracy: ±1%max.P.
- Setting method: Internally adjustable

○ As setting scale on dial includes setting error, ensure the use of master gauge and reference pressure gauge to maintain accurate setting.

* Specify code "X" to refer N/A