

# SL85

## Anti-corrosion Pressure Gauge

### Outline

SL85 is superior chemical resistant and non-adhesive pressure gauge through the use of fluorine resin for wetted parts.  
The enclosure made of PP resin offers greater corrosion protection where atmospheric corrosion is a consideration.

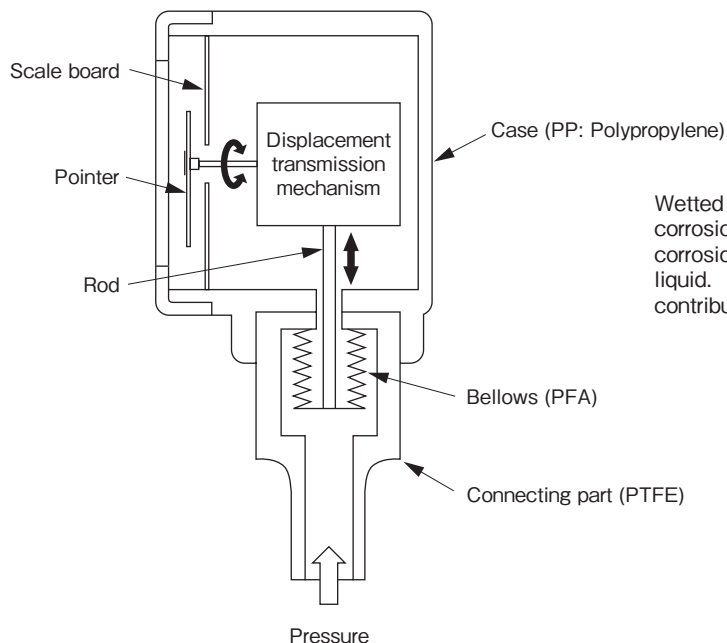


### Features

- Higher corrosion resistance achieved through the use of fluorine resin for wetted parts.
- PP resin case offers resistance to atmospheric corrosion.
- RoHS compliant.
- Cleaned and assembled in the clean room.

### Construction and features

This product is manufactured together with UESHIMA SEISAKUSHO CO., LTD.




Wetted parts made of fluorine resin provides high corrosion resistance. Incorporated PFA bellows offers corrosion protection from gas-permeability chemical liquid. PP and PET used for window and enclosure contribute for high resistance to atmospheric corrosion.

# SL85




## Anti-corrosion Pressure Gauge

### Specifications

Item	Description	
Fluid	Liquid (Since the element is fluorine resin, please consider permeability.)	
Case size	60 DIA. (Dial size: 50 DIA.)	
Construction	Sealed construction	
Type	Stem, type A 	
Connection	G3/8B, R3/8, Tube *	
Wetted parts material	Element: Fluorine resin (PFA) Connection: Fluorine resin (PTFE)	
Pressure range	0 to 0.1 MPa → 0 to 1 MPa -0.1 to 0 MPa	
Operating temperature	10 to 30°C	
Accuracy	±1.5%F.S. at 23°C (Range 0.6 MPa or over) ±2%F.S. at 23°C (Range 0.4 MPa and under)	
Case material	Case: PP resin Glass: PET resin Packing: Fluorine rubber	
Enclosure	Indoor use	
Treatment	Assembly & adjustment	Inside clean room (Class 10,000)
	Leak test	N <sub>2</sub> gas pressurization
	Treatment	Use no oil & water
	Packing	After N <sub>2</sub> gas flushing, clean polyethylene hermetically sealed packaging
Weight	Approx. 190 g	

\* Please consult about other connection.

### Introduction of related products

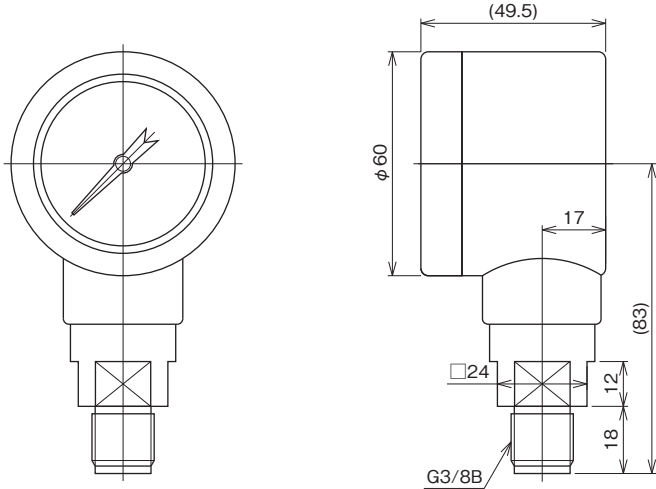
Product name	Pressure Transmitter Measurement of Ultrapure Water	Pressure Transmitter Chemical-Resistance type	Chemical-Resistance type Pressure Transmitter with Display
Model number	KL91	KL92	KL95
Surface			
Features	O-ring less construction	Corrosion resistant permeation fluid compatible, O-ring less construction	Corrosion resistant permeation fluid compatible, O-ring less construction, Outputs / Set up functions
Wetted parts material	Element: Fluorine resin (Alumina + PTFE/PFA laminated) Joint: Fluorine resin (PTFE·PFA)	Diaphragm: PFA Others: PTFE (PFA)	Diaphragm: PFA Others: PTFE (PFA)
Pressure range	0 to 0.1, 0.2, 0.3, 0.5 MPa -0.1 to 0.1, 0.2, 0.3, 0.5 MPa	0 to 0.3, 0.5 MPa	0 to 0.3, 0.5 MPa

# SL85

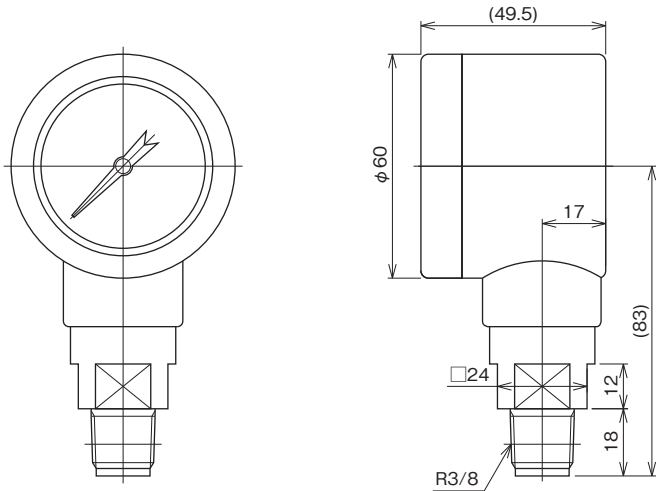
## Anti-corrosion Pressure Gauge

### Dimensions

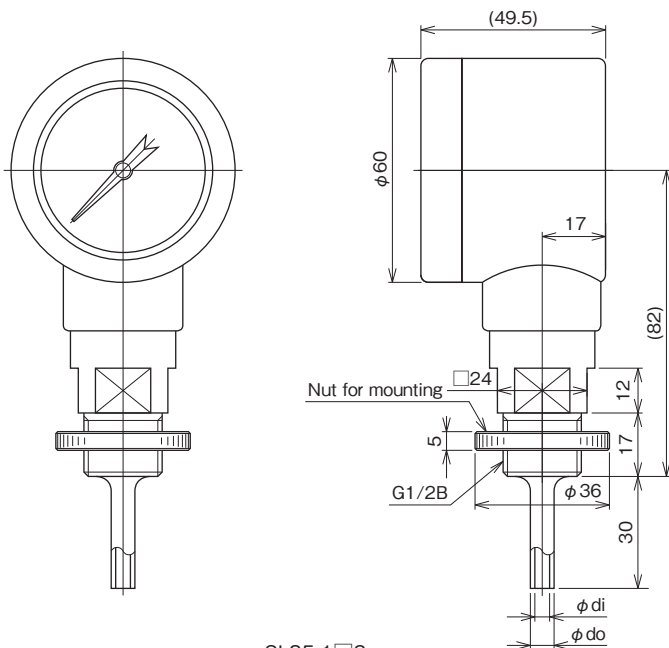
Unit: mm



SL85-133



SL85-183



SL85-1□3



Please contact us separately, concerning the rear connection type.

Model number	do	di
SL85-1A3	1/4" (6.35)	5/32" (3.95)
SL85-1B3	3/8" (9.53)	1/4" (6.33)
SL85-1C3	1/2" (12.7)	3/8" (9.5)
SL85-1N3	6	4
SL85-1P3	8	6

# SL85

## Anti-corrosion Pressure Gauge

### Model number configuration

For ordering, please specify the model number, each specs and the range.

Model		①	②	③	④	⑤	⑥	⑦	⑧	⑨	⑩	⑪	⑫	⑬	⑭	⑮
S L 8 5		1		3			0	0	X	X	X	X	X	X	X	
Anti-corrosion Pressure Gauges																
Model number					Selective spec.			Additional spec. (Option)								
①	Type	1	Stem, type A													
②	Connection * 1	3	G3/8B													
		8	R3/8													
		A	Tube 1/4"×5/32"													
		B	Tube 3/8"×1/4"													
		C	Tube 1/2"×3/8"													
		N	Tube 6mm×4mm													
	P	Tube 8mm×6mm														
③	Wetted parts material	3	PFA, PTFE													
④	Pressure range (MPa)	④	⑤	④ Pressure range (MPa)												
		1	9	-0.1 to 0												
		A	9	0 to 0.1												
		B	9	0 to 0.2												
		D	9	0 to 0.4												
		F	8	0 to 0.6												
		G	8	0 to 1												
⑤	Accuracy	⑤ Accuracy														
				±2.0%F.S.												
				±2.0%F.S.												
				±2.0%F.S.												
				±1.5%F.S.												
				±1.5%F.S.												
⑥	Pointer	0	Standard													
⑦	Glass	0	Standard (PET resin)													
⑮	Documents	0	Nil													
		1	Required (Please specify the desired documents separately.) Submission drawings, instruction manual, inspection procedure, test report (1 pc 1 copy), inspection / traceability certificate, attended inspection													

Please specify the pressure range and units separately besides selection of range code.

Please contact us separately, concerning the rear connection type.

\* 1 Please consult about other connection.

\*Specify "X" if there is no applicable specification.