

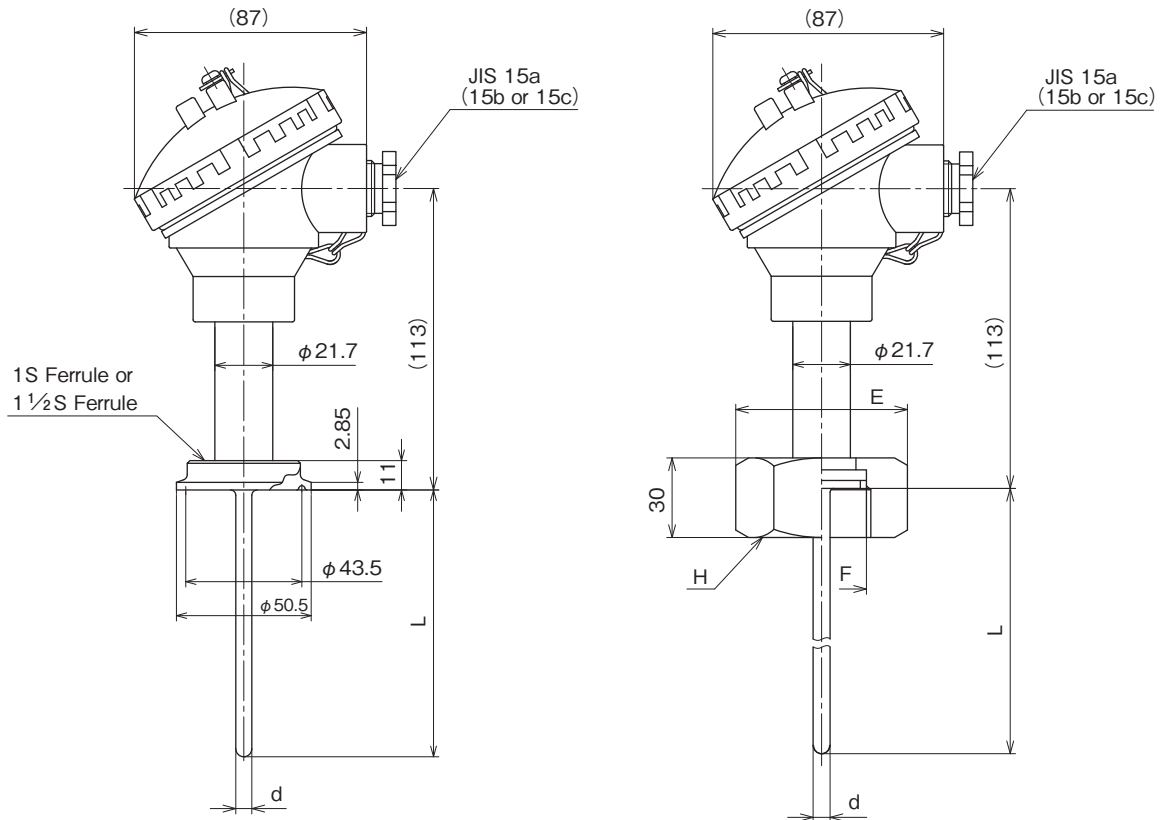
TH72

Temperature Transmitters

Dimensions

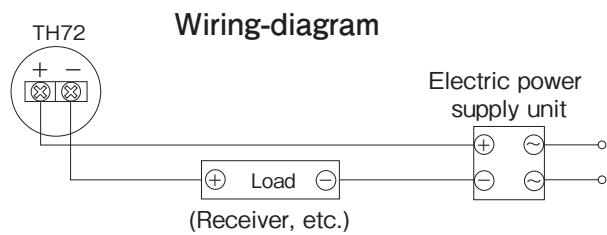
Ferrule type: TH72-AA□

Nut type: TH72-AC□
: TH72-AD□



* Please refer to model number configuration about temperature sensor, material, length.

Screw size (H)	E	F
1S Nut type	46×53.1 Hex.	φ 29.2
1 1/2S Nut type	56×64.7 Hex.	φ 42.7



Model number configuration

Please specify the model number, each specs and the range for ordering.

Model

TH72 — **A** — **6111** × × × × ×

Sanitary type temperature transmitter

Model number		Selective spec.			Additional spec. (Option)	
① Mounting	A	Direct connection				
② Connection	A	Size : 1S, 1½S (Sanitary fitting) Ferrule type				
	C	Size : 1S (Sanitary fitting) Nut type				
	D	Size : 1½S (Sanitary fitting) Nut type				
③ Temperature sensor construction, Out dia., Material	1	Standard type	φ4.8	SUS304		
	2	Standard type	φ6	SUS304		
	3	Standard type	φ8	SUS304		
	A	Sheath type	φ4.8	SUS316		
	B	Sheath type	φ6.4	SUS316		
	C	Sheath type	φ8	SUS316		
④ Range °C	A	-50 to 50				
	B	-30 to 50				
	C	-20 to 100				
	D	-10 to 50				
	E	0 to 50				
	F	0 to 100				
	9	Other (Please specify separately.)				
⑤ L length, Temperature sensor	1	50 to 100mm	Standard type	φ4.8, φ6, φ8		
	2	110 to 200mm	Standard type	φ4.8, φ6, φ8		
	3	210 to 300mm	Standard type	φ4.8, φ6, φ8		
	A	50 to 100mm	Sheath type	φ4.8		
	B	110 to 200mm	Sheath type	φ4.8		
	C	210 to 300mm	Sheath type	φ4.8		
	G	50 to 100mm	Sheath type	φ6.4		
	H	110 to 200mm	Sheath type	φ6.4		
	J	210 to 300mm	Sheath type	φ6.4		
	N	50 to 100mm	Sheath type	φ8		
	P	110 to 200mm	Sheath type	φ8		
Q	210 to 300mm	Sheath type	φ8			
9	Other (Please specify separately.)					
⑥ Accuracy	6	±0.75%F.S.				
⑦ Power supply	1	24V DC				
⑧ Output	1	4 to 20mA DC				
⑨ Outlet for electric wire	1	JIS15a (G½)				
⑩ Documents	0	Nil				
	1	Required (Please specify the desired documents separately.) Submission drawings, instruction manual, inspection procedure, test report (1 pc 1 copy), strength calculation, attended inspection				

Please specify the temperature range and units separately besides selection of range code.

[Manufacturing range]

- Range A to D recommends a sheath type to prevent condensation in the temperature sensor.
- Outlet for electric wire is G½ or JIS15a gland.
- Wetted parts material for φ4.8, φ6, φ8 of temperature sensor is 316 st.st. only.

[Other additional spec.]

- 3-core shielded cab tire cable (/m)

* When ordering, please specify temperature sensor. (10mm step)
 * L size turns into L size of +10mm of protection pipe.
 When combining with a thermowell, L length turns into L length +10mm.

* Specify "X" if there is no specification item.