

GC81

Digital Panel Meter



Compact (24 x 48 mm) body and easy connection to transmitters.

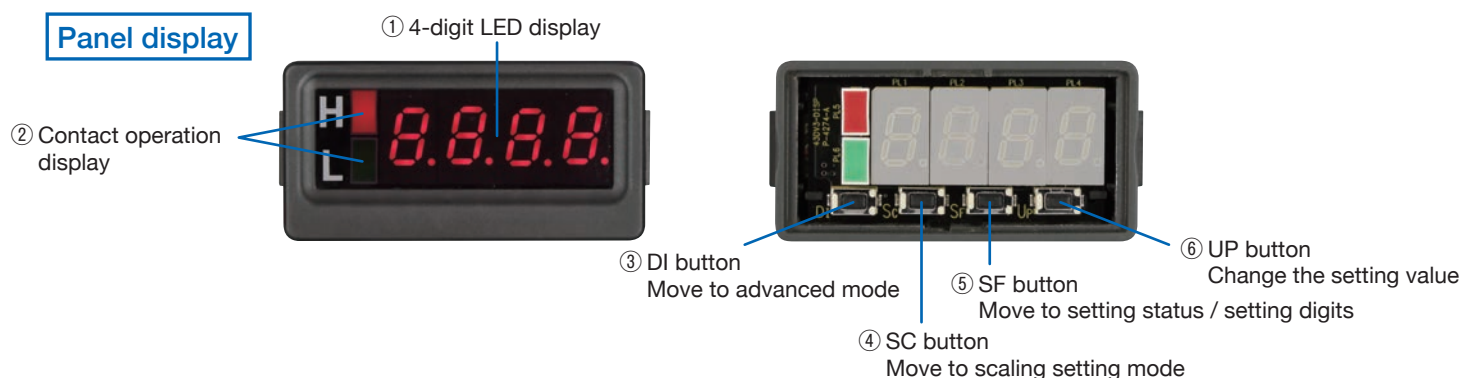
- 4-digit LED display
- Spring-type terminal block for easy wiring
- Built-in power supply for sensor
- Input signal can be selected



GC81

A digital panel meter compatible with various sensor types, which can be used in a wide range of industries. Despite the small size and light weight, power supply for connecting sensor is equipped and two alarm outputs can be used.

- 4-digit LED display (-1999 to 9999)
- Spring-type terminal block to reduce the time and effort required for wiring
- Built-in power supply for connecting sensor (5V DC or 24V DC)
- Two alarm outputs can be used
- Selectable current / voltage / transducer input



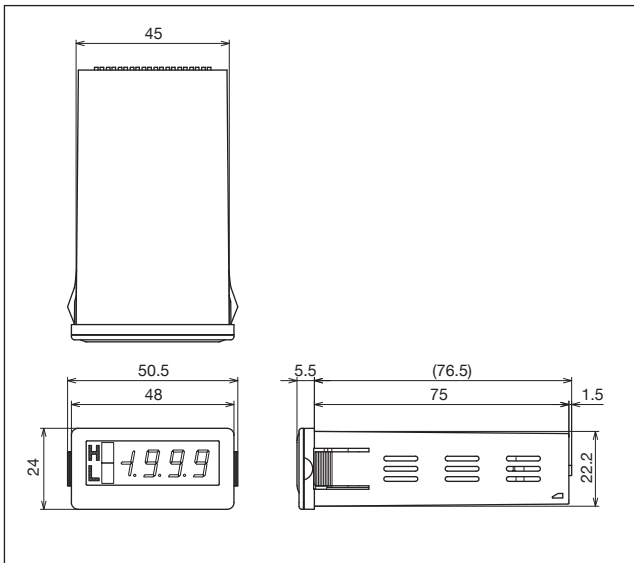
Specifications

Item		Description
Display	Number of digits	4 digits (-1999 to 9999)
	Display type	Red LED display
	Character height	7.6mm
Power supply	DC	5V DC or 24V DC
Input signal (Select model number)	Voltage	1 to 5V DC, 0 to 5V DC
	Transducer input	Pressure transducer
	Current	4-20mA DC
Comparator output	Comparator	Relay contact or photo MOS relay 2 outputs
	Relay response time	0.5 sec. or less
	Contact capacity	Relay : 125V AC 0.5A, 30V DC 1A (50V AC or less at transducer input) Photo MOS relay : 30V DC 100 mA
Power output for connecting sensor	Transducer input type	5V DC
	Voltage / current type	24V DC
Performance	Sampling rate	5 samples/sec. (200 ms)
	Accuracy (23°C ± 5°C)	± (0.1% rdg + 1 digit x scaling coefficient)
	Temperature coefficient	± (0.01% rdg + 0.3 digit x scaling coefficient) /°C
	Power consumption	2W or less (80 mA or less when the power supply specification is 24V, 380 mA or less when 5V)
	Operating temperature	0 to +55°C
	Operating humidity	20 to 90% RH (no condensation)
Insulation resistance		100MΩ or more / 500V DC
Withstand voltage		Input - Alarm output - Power supply - Ground: 1000V AC 1 minute
Weight		Approx. 60g
CE marking		EMC Directive, RoHS Directive
Functions		Scaling / Over scale / Alarm setting / Filter / Brightness adjustment

Digital Panel Meter

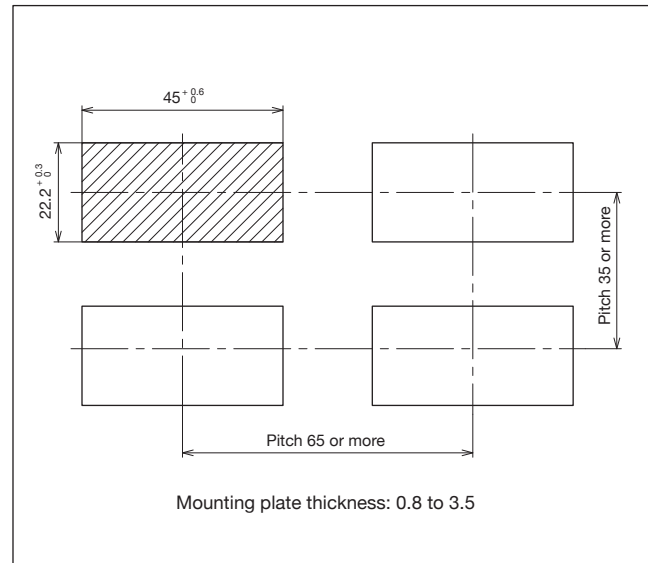
Dimensions

Unit: mm



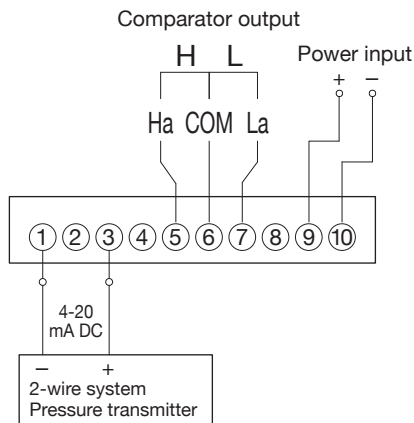
Panel cut size

Unit: mm

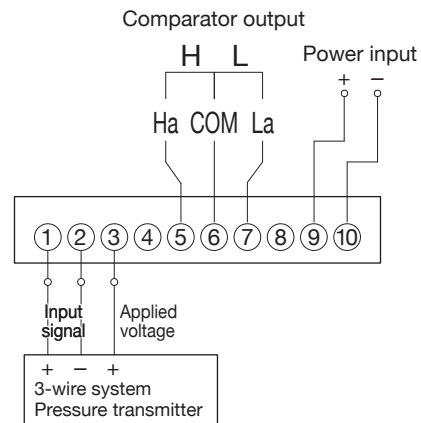


Wiring

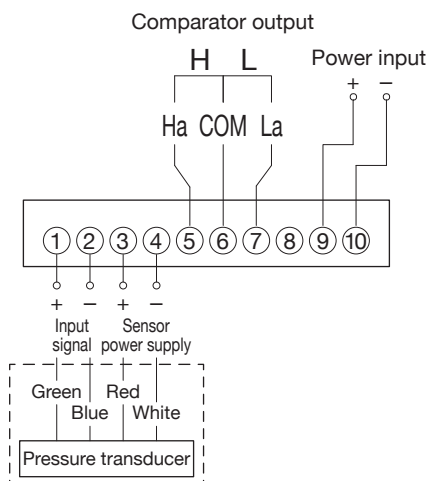
• Input signal: 4-20mA DC



• Input signal: 0 to 5V DC, 1 to 5V DC



• Input signal: Transducer input



Appearance of power terminal block



Model number configuration Please specify the model number and each specs for ordering.

Model name		GC81		—			—			× × × × × × × × × × × × × ×						
Digital panel meter		①	②	③	④	⑤	⑥	⑦	⑧	⑨	⑩	⑪	⑫	⑬	⑭	⑮
Model number				Selective spec.				Additional spec. (Option)								
GC81		[Standard specifications] Indoor use Display: 4-digit red LED														
① Power source		D	5V DC													
		1	24V DC													
② Input signal		1	4-20mA DC				Power supply for connecting sensor: 24V DC									
		6	0 to 5V DC													
		8	1 to 5V DC													
		9	Pressure transducer				Power supply for connecting sensor: 5V DC									
③ Comparator output		1	Relay													
		2	Photo MOS relay													
⑮ Document		0	Nil													
		1	Required													

* Only "Yes or No" is available for "Documents."
Please provide separate specifications in regards to the content.

Ideal for combination with our various sensors



KL14
Fine differential
pressure transmitter



EH15
Pressure transmitter



ZT11
Pressure sensor
for semiconductor industry



SU76
Sanitary type
pressure sensor



EJ15*
Intrinsically Safe
Pressure Sensor

* Please use it combined with
a safety barrier.

The contents in the catalog are subject to change without notice.

NAGANO KEIKI

NAGANO KEIKI CO., LTD.

URL : <https://www.naganokeiki.co.jp/>

HEAD OFFICE & OVERSEAS SALES DEPT

1-30-4, HIGASIMAGOME OHTA-KU, TOKYO, JAPAN.

PHONE : +81-3-3776-5328 FAX : +81-3-3776-5447

E-mail : overseas_sales_dept@naganokeiki.co.jp